



Screenless Granulator

SG-2436

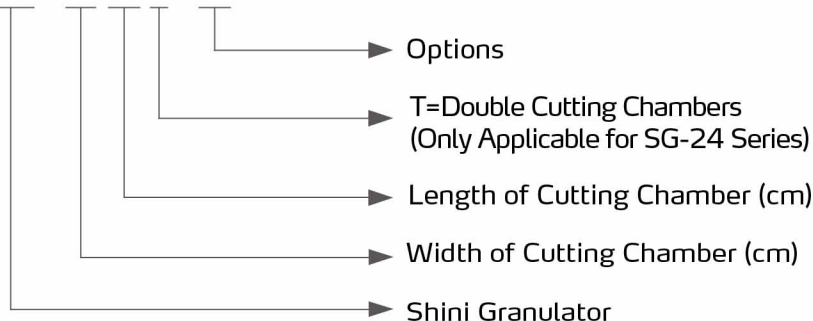


Refer carefully to this manual before operation.

SG-14/24N/24T

■ Coding Principle

SG - xx xx x - xx



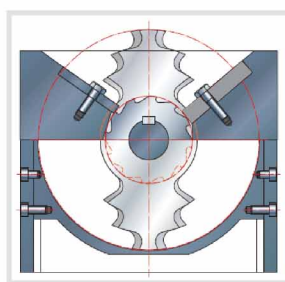
SG-1417

■ Features

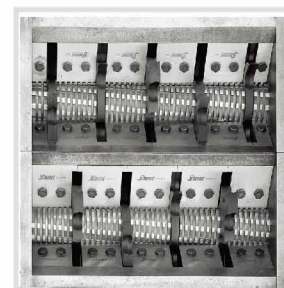
- SG-14/24 series adopts globally well-know gear motor.
- SG-24T series adopts two sets of a globally well-know gear motor and cutting chambers.
- SG-14/24 series features integrated teeth cutters and cutting blades design. Cutting blades break large spurs into smaller pieces, and teeth cutter bites the material into the desired size with less dust and ready to be reused with virgin material.
- New-type inclined teeth cutter reduces the possibility of stress concentration, then enhance cutter lifespan and reduction in dust.
- SG-14/24T/24 series motor shaft and rotor shaft are connected by shaft coupling thus ensuring convenient motor replacement.
- SG-24 series can be set to run at intervals according to the actual demands, saving up to 50% energy.
- The blade shaft speed of SG-24 series is adjustable ($\pm 40\%$), and the brittle materials can be crushed at low speed to reduce noise, energy consumption and dust content; and soft materials can be crushed at high speed to improve the crushing capability;
- When motor blockage occurs, the machine will alarm visibly and enable motor to run reversely. It will return to normal operation automatically after the trouble is clear.
- Compact design, small proofprint for easy cleaning and maintenance. Transparent PC feeding hopper.
- SG-24 series feed box is equipped with magnet to adsorb iron impurities in the materials.



SG-2446T



Section View of
Trapezoid Teeth Cutter

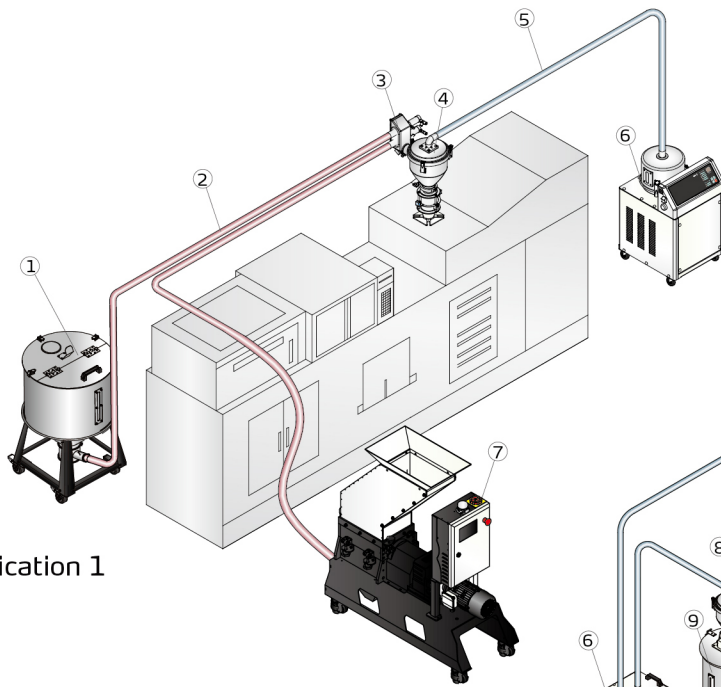


SG-24T
Double Teeth Cutter

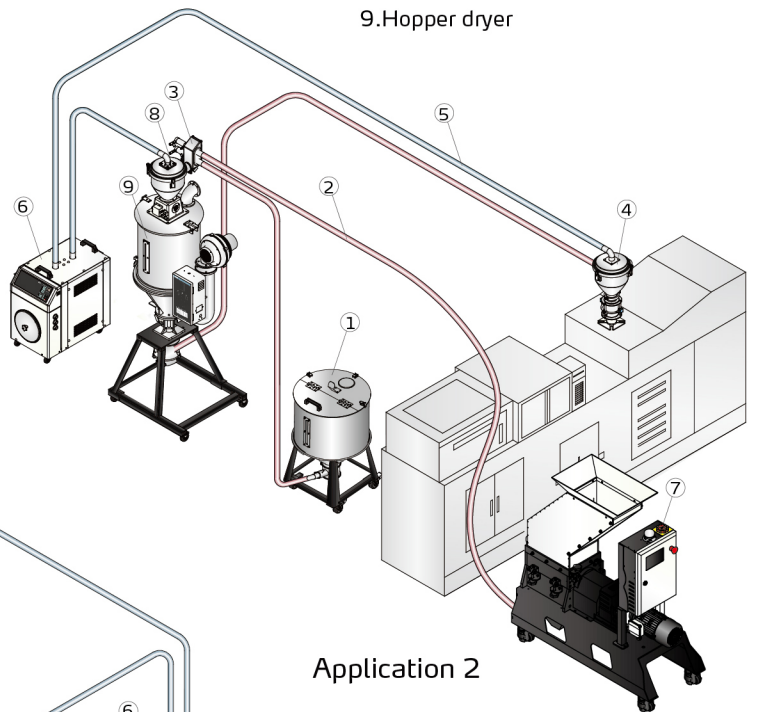
Application

1. Material storage tank
2. Material line
3. Proportional valve
4. Photosensor hopper receiver
5. Vacuum line
6. Main vacuum unit
7. Screenless granulator
8. Vacuum hopper receiver
9. Hopper dryer

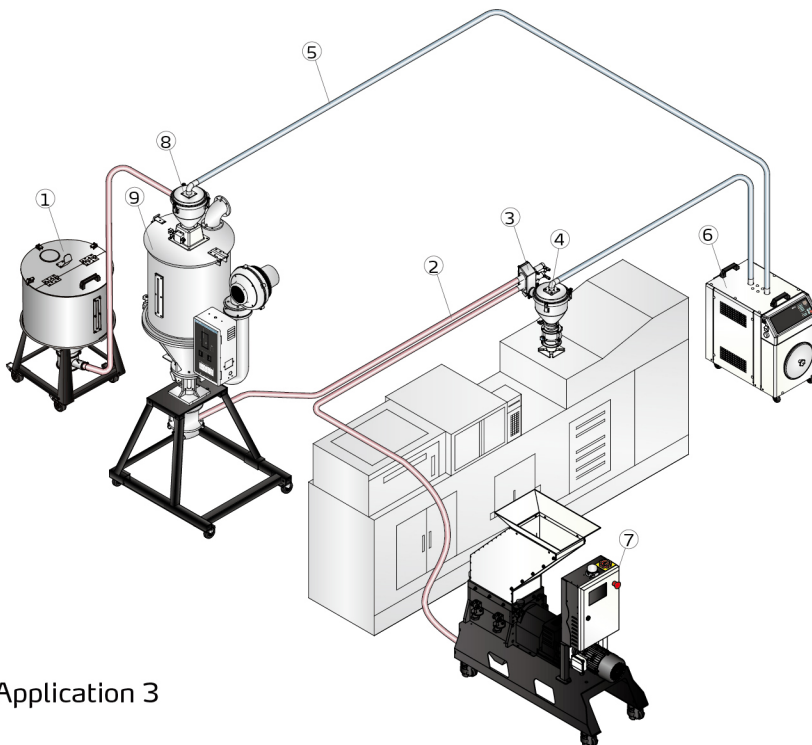
Application 1



Application 2



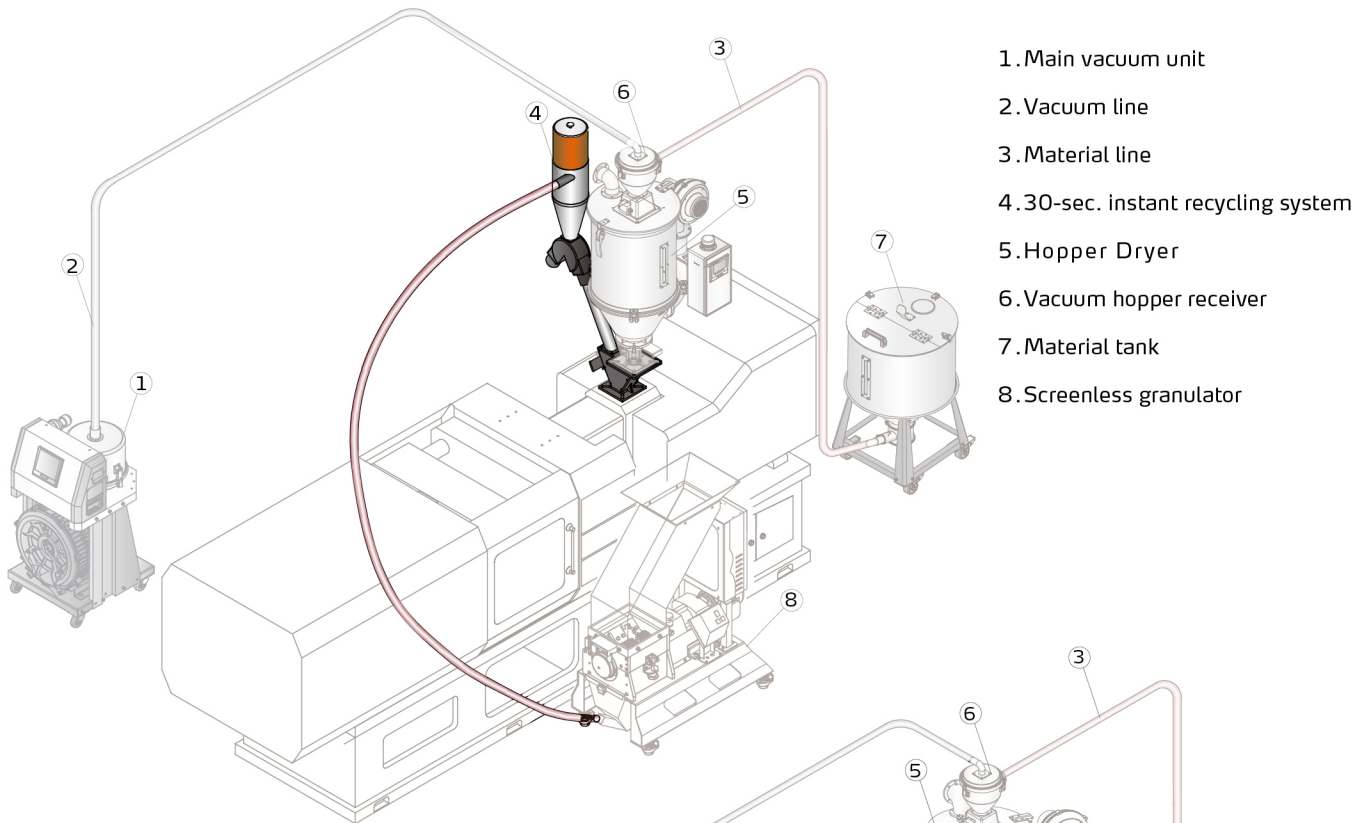
Application 3



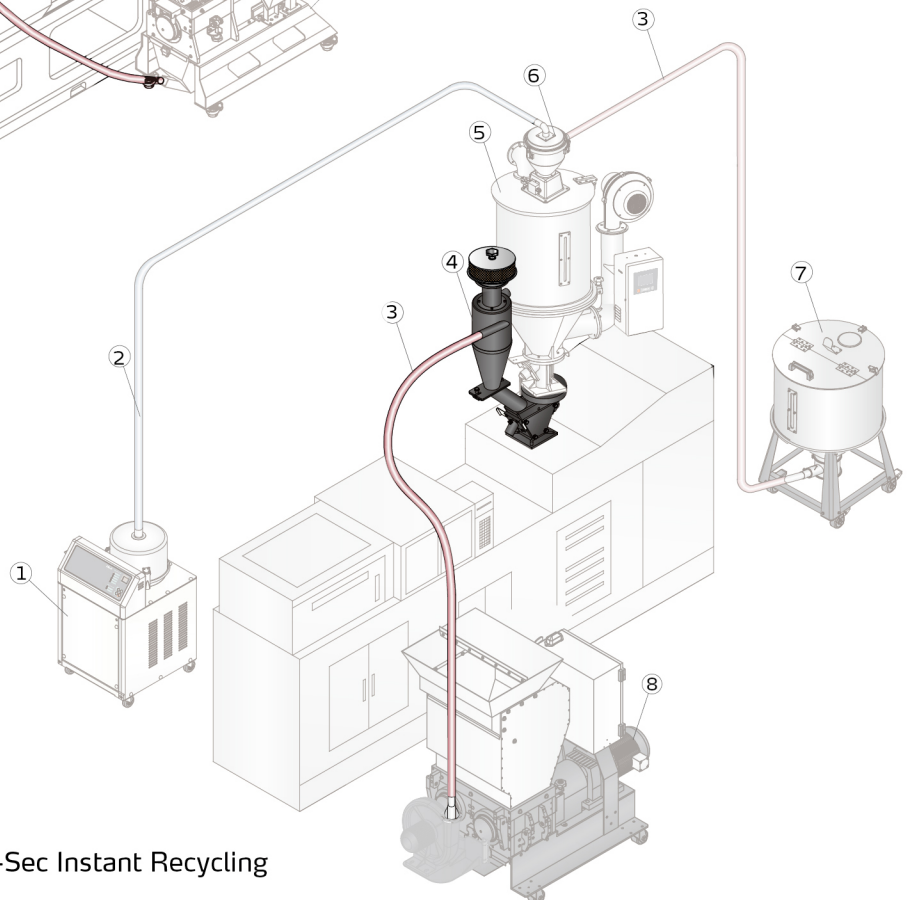
SG-14/24N/24T

Options

30-Sec Instant Recycling System (Patented Product)

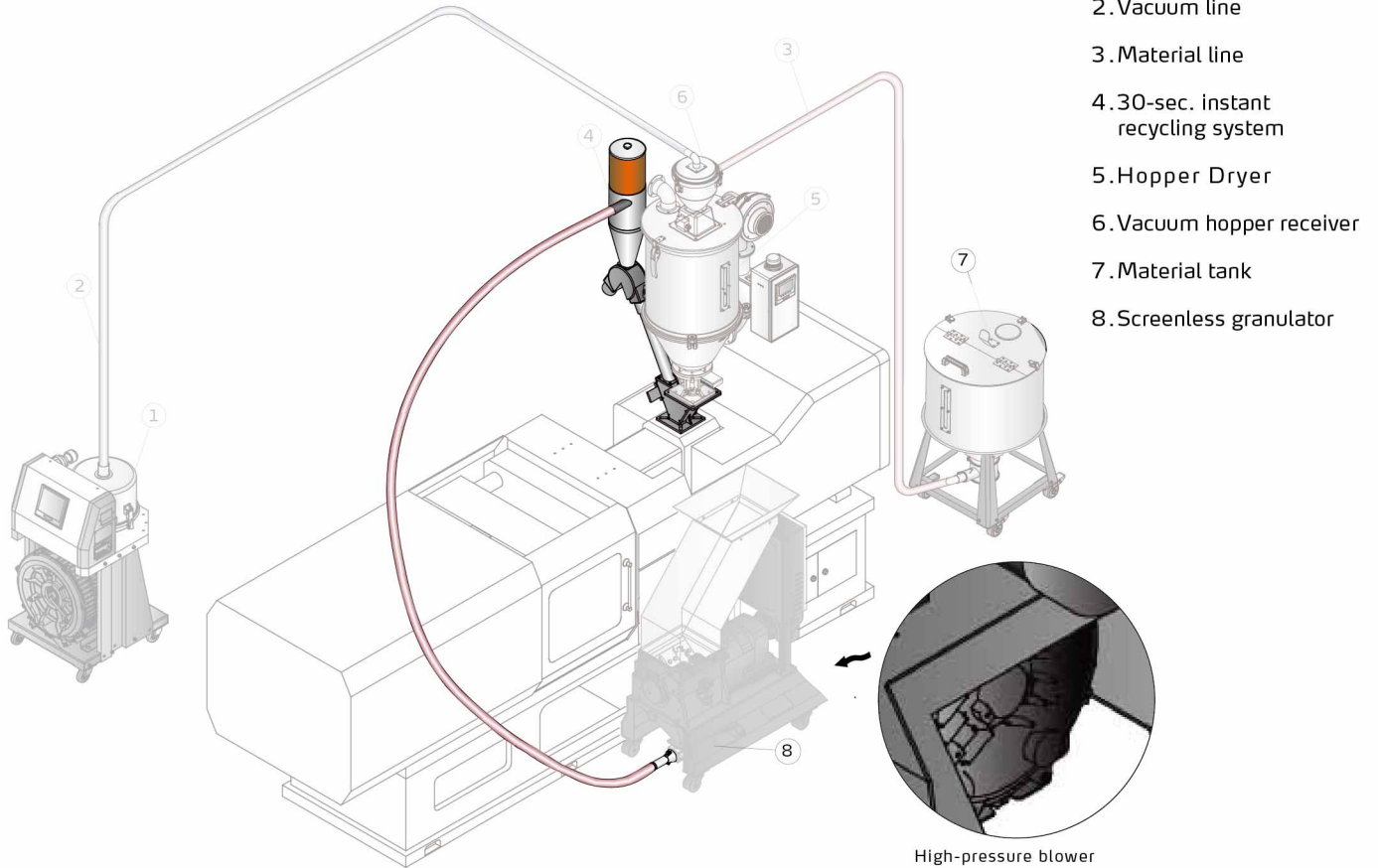


VR Type 30-Sec Instant Recycling



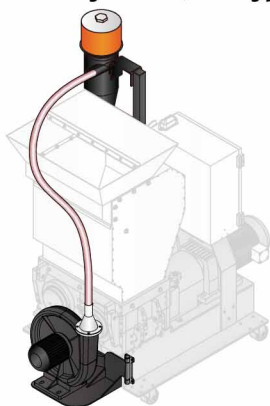
BR Type 30-Sec Instant Recycling

● **30-Sec Instant Recycling System- PR Type**



1. Main vacuum unit
2. Vacuum line
3. Material line
4. 30-sec. instant recycling system
5. Hopper Dryer
6. Vacuum hopper receiver
7. Material tank
8. Screenless granulator

Regrind Conveying via Blower & Cyclone (BC Type)



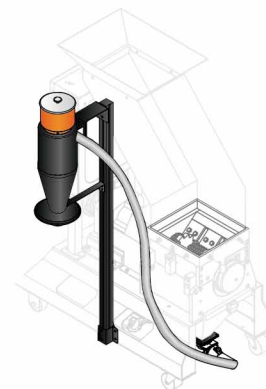
This device utilizes conveying blower to convey regrind into the cyclone dust collector to separate the regrind from the air and then the regrind will fall into storage hopper or cloth bag. Applicable to SG-24T series.

Dust Separator (DS Type)



Dust Separator (DS type) can enhance dust separation with regrind for immediate use. The dust will be kept in filter bag, thus working environment will be maintained clean. This device ensures full use of regrind to avoid material wasting and enhance the economical returns. Applicable to SG-24/24T series.

Regrind Conveying Via Blower & Cyclone (PC type)



This device utilizes loading blower to convey regrind into the cyclone dust collector to separate the regrind from the air and then the regrind will fall into the material storage hopper. Applicable to SG-24 series.

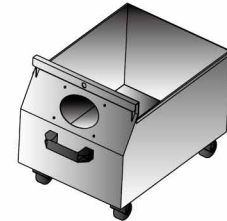
SG-14/24/24T

● Full-receiver Alarm Device

Full-receiver alarm device can help to realize un-manned operation and no materials will be wasted. Whenever the regrind level reaches the motor position, the machine will be forced to stop and be cut off via it is sensor, thus stop the granulator and warn the user by sounding an alarm. add "FAD" at the end of the model code, Applicable to SG-24N/24T series.



● Manual Collection Bin

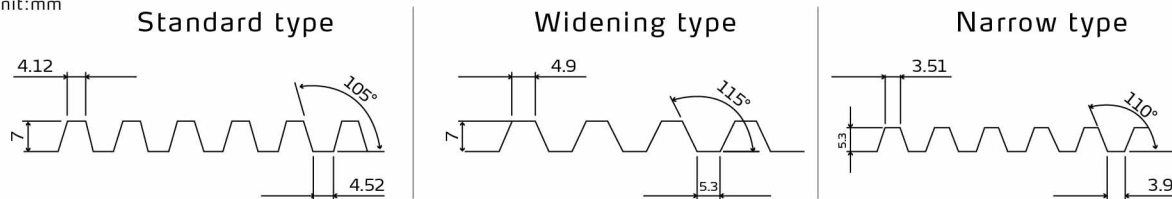


The manual collection bin is convenient for regrind recycling and storing, and add "SCB" at the end of the model code. Applicable to SG-24 series.

| Model | SG-2417 | SG-2427 | SG-2436 | SG-2446 |
|--------------|---------|---------|---------|---------|
| Capacity (L) | 23 | 30 | 33.5 | 44 |

● Cutting tools

Unit:mm



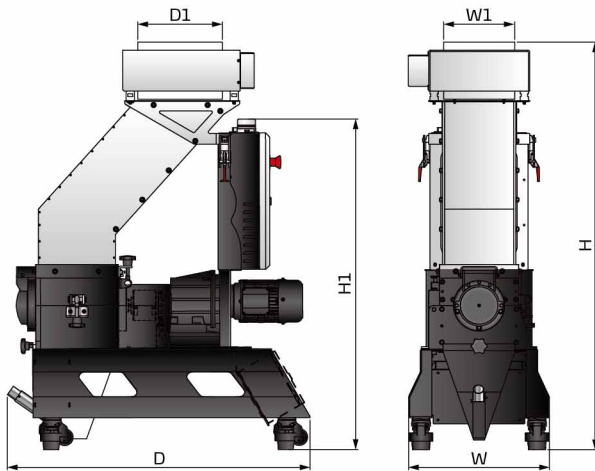
- Stainless steel made feed port and storage tank, add "R" at the end of the model code.
- Feed hopper with magnet is used to take out metal craps and impurities in the material, which is optional for SG-24T series. Add "FHM" at the end of the model code.

● Metal Detecting Separator

The Metal Detecting Separator is installed at the feed port as a channel-type unit. When the metal fragment is detected in the granules during feeding, the machine will shut down and trigger an alarm to avoid blade damage. For models optional with SG-24 series, add "MS" at the end of the model code.



SG-MS Outline Drawings



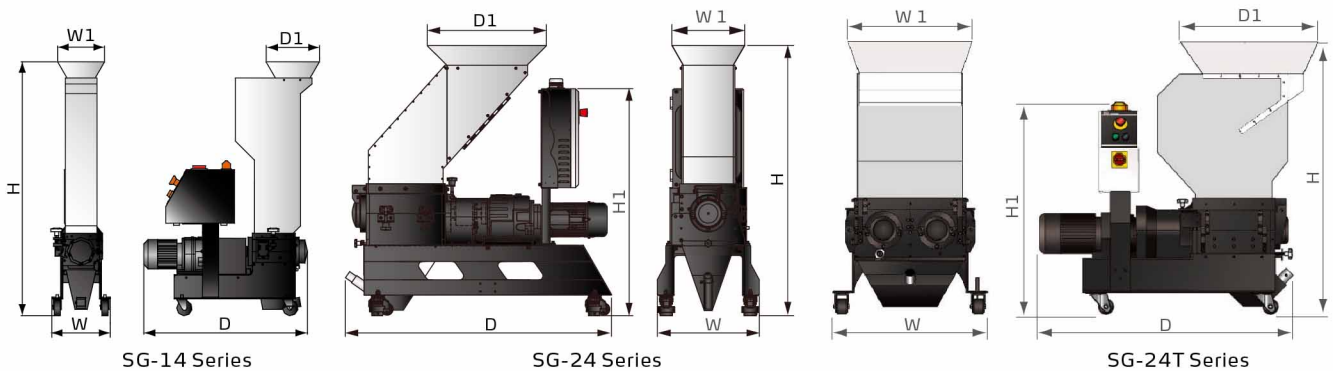
SG-MS

SG-MS Specifications

| Model | SG-2417-MS | SG-2427-MS | SG-2436-MS | SG-2446-MS |
|--|------------|------------|------------|------------|
| Motor Power (kW, 50/60Hz) | 0.75 | 0.75 | 1.5 | 2.2 |
| Rotating Speed (rpm, 50/60Hz) | 27 | 27 | 27 | 27 |
| Material of Teeth Cutter | SKD11 | SKD11 | SKD11 | SKD11 |
| Quantity of Staggered Cutter | 1 | 2 | 3 | 4 |
| Quantity of Teeth Cutter | 2 | 3 | 4 | 5 |
| Quantity of Large Teeth Cutter | / | / | / | / |
| Quantity of Small Teeth Cutter | / | / | / | / |
| Cutting Chamber (mm) | 240 x 175 | 240 x 270 | 240 x 365 | 240 x 460 |
| Min. detectable diameter of metal spheres by material (mm) | Fe | 5.0 | 7.0 | 7.0 |
| | Cu | 5.0 | 7.0 | 7.0 |
| | SUS | 6.0 | 8.0 | 8.0 |
| Max. Output Capacity (kg/hr, 50/60HZ) | 8 | 12 | 16 | 20 |
| Noise Level dB(A) | 80~85 | 80~85 | 80~85 | 80~85 |
| Dimension | H (mm) | 1495 | 1495 | 1495 |
| | H1 (mm) | 1136 | 1136 | 1136 |
| | W (mm) | 516 | 516 | 516 |
| | W1 (mm) | 250 | 250 | 250 |
| | D (mm) | 1040 | 1110 | 1350 |
| | D1 (mm) | 200 | 300 | 390 |
| Weight(kg) | 240 | 260 | 285 | 395 |

- Notes: 1) Max. Capacity of the machine is subject to the size and composition of the material.
 2) Noise level will varies with different materials and motor types.
 3) SKD11 is JIS steel grade.
 4) The angled teeth cutter is standard, and narrow, widened type is optional.
 5) To avoid plastic from sticking to the blades, all materials should be crushed at normal temperature.
 6) Power supply: 3Φ, 230/400/460/575 VAC, 50/60Hz.

SG-14/24N/24T Outline Drawings



SG-14/24N/24T Specifications

| Model | SG-1411 | SG-1417 | SG-2417 | SG-2427 | SG-2436 | SG-2446 | SG-2436T | SG-2446T | |
|---------------------------------------|-----------|-----------|-----------|-----------|-----------|-----------|------------|------------|------|
| Motor Power (kW, 50/60Hz) | 0.37/0.45 | 0.37/0.45 | 0.75/0.86 | 0.75/0.86 | 1.5/1.75 | 2.2/2.57 | 2.2/2.57x2 | 2.2/2.57x2 | |
| Rotating Speed (rpm, 50/60Hz) | 26/32 | 26/32 | 27/33 | 27/33 | 27/33 | 27/33 | 27/33 | 27/33 | |
| Material of Teeth Cutter | SKD11 | SKD11 | SKD11 | SKD11 | SKD11 | SKD11 | SKD11 | SKD11 | |
| Quantity of Staggered Cutter | 1 | 2 | 1 | 2 | 3 | 4 | 7 | 9 | |
| Quantity of Teeth Cutter | 2 | 3 | 2 | 3 | 4 | 5 | / | / | |
| Quantity of Large Teeth Cutter | / | / | / | / | / | / | 7 | 9 | |
| Quantity of Small Teeth Cutter | / | / | / | / | / | / | 2 | 2 | |
| Cutting Chamber (mm) | 140 x 110 | 140 x 175 | 240 x 175 | 240 x 270 | 240 x 365 | 240 x 460 | 505 x 365 | 505 x 460 | |
| Max. Output Capacity (kg/hr, 50/60Hz) | 2 | 3 | 8 | 12 | 16 | 20 | 33 | 42 | |
| Noise Level dB(A) | 60~68 | 60~68 | 80~85 | 80~85 | 80~85 | 80~85 | 80~85 | 80~85 | |
| Dimension | H (mm) | 1080 | 1080 | 1370 | 1370 | 1370 | 1425 | 1360 | 1360 |
| | H1 (mm) | / | / | 1150 | 1150 | 1150 | 1160 | 1060 | 1060 |
| | W (mm) | 290 | 290 | 516 | 516 | 516 | 576 | 773 | 773 |
| | W1 (mm) | 235 | 235 | 367 | 367 | 367 | 367 | 620 | 620 |
| | D (mm) | 740 | 785 | 1015 | 1110 | 1350 | 1515 | 1269 | 1365 |
| | D1 (mm) | 210 | 266 | 410 | 505 | 600 | 665 | 688 | 785 |
| Weight(kg) | 83 | 92 | 230 | 250 | 275 | 380 | 530 | 560 | |

Notes: 1) Max. Capacity of the machine is subject to the size and composition of the material.

2) Noise level will varies with different materials and motor types.

3) SKD11 is JIS steel grade.

4) Teeth cutter with width of 3mm is standard, and 4mm is optional (SG-14).

Trapezoidal teeth cutter is standard; narrow and dilated one are optional (SG-24/24T).

5) To avoid plastic from sticking to the blades, all materials should be crushed at normal temperature.

6) Power supply: 3Φ, 230/400/460/575 VAC, 50/60Hz.

We reserve the right to change specifications without prior notice.

Shini Group

Addr: No. 23, Minhe St., Shulin Dist.,
New Taipei, Taiwan

Tel: +886 2 2680 9119

Fax: +886 2 2680 9229

Email: shini@shini.com

Factories:

- Taiwan
- Dongguan
- Pinghu
- Ningbo
- Chongqing
- Pune

2026-03-15-04 Copyrights Reserved.

www.shini.com